



## MKIV D PTZ Camera

An Outdoor SD Camera with  
Pan, Tilt and 36x Optical Zoom

The MKIV D incorporates a Sony FCB-EX1020E Sony block camera with a 36x optical zoom lens.

The camera has absolute position feedback and therefore has the ability to self correct its actual position if external forces act upon it. It also offers eight user preset settings that can be saved allowing PTZ framing and camera racking profiles to be easily recalled.

An internal infra-red cut filter removal mechanism is used to allow the camera to operate in both day and night modes.

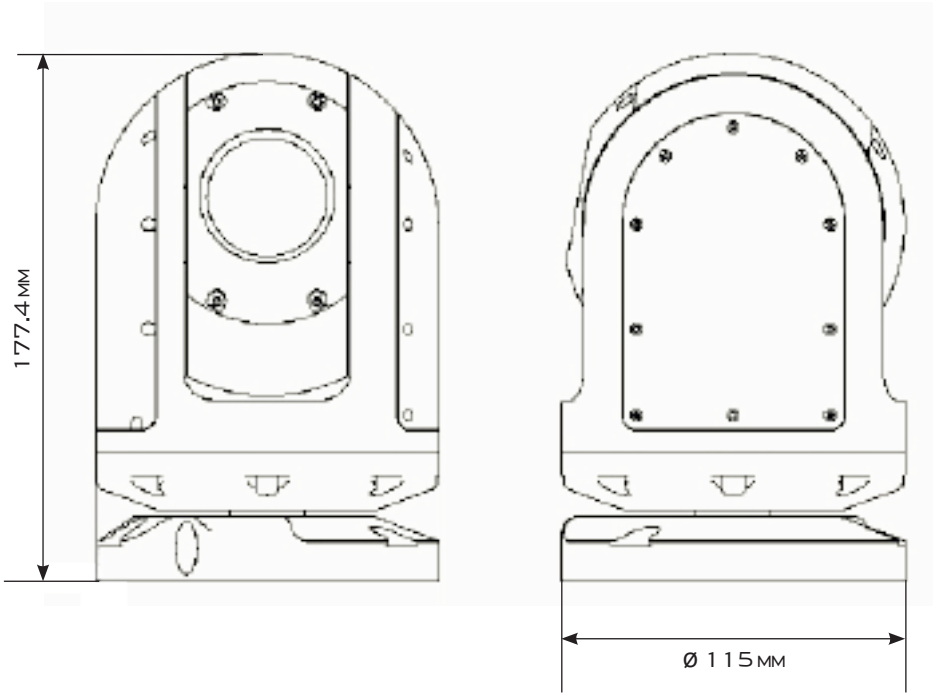
Composite video output, power and data to the camera is via the VE standard connector. The pan and tilt drive trains are actuated by gearless stepper motors, reducing the operational noise to a minimum. Pan and tilt speeds are zoom factor corrected, giving fine control over the entire range of the lens with pan speeds up to 100° per second.

Remote control of the camera and motor drives is via Sony Visca or PelcoD protocols over RS232 or RS485 serial connections. VE software controllers are available, as is the option to interface the MKIV D to well known industry standard camera controllers.

The outer casing is manufactured from delrin, shot blasted to reduce reflections and coated to prevent moisture ingress. All external mating surfaces are gasket sealed to maintain its IP65 rating.

### Overview

Fully Integrated Camera
SD Video Output
High Resolution and Accuracy
Progressive Speed Control
Fast Pan Speeds, 100°/Sec
Position Recall
Fine Position Accuracy
36x Optical Zoom
IP65 Rated
User Preset
Multiple Control Protocols
Low Light Modes
Small Size, ø 115mm
Low Weight, <1.5kg



Connector Pinout	
Pin	Signal
1	+12v DC
2	Power GND
3	CVBS
4	Video GND
5	Reserved
6	+5v DC
7	RS232 TXD
8	RS232 RXD
9	Reserved
10	Reserved
11	Reserved
12	Reserved

Connector Information.  
Mating half : Binder 720 female, 12 pin P/N 99-9134-02-12

Specifications			
Camera Sensor	1/4" Ex-View HAD CCD	Protocol	Visca, PelcoD
Camera Sensitivity	<0.7 Lux	Pan & Tilt Range	270° tilt, Continuous pan
Camera Resolution	>520TVL	Pan & Tilt Drive Train	Low Noise Stepper
SNR	>50dB	Power Requirement	9-18V DC, 6W
Zoom	36x Optical	Environmental	IP65
Lens Drive Train	Silent Stepper	Weight	1.5 kgs
User Presets	8	Dimensions	∅ 115 x 177.4mm
Serial Interface	RS232/RS485	Casing	CNC Machined Delrin

Visual Engineering Technologies LTD



For more information please contact:

E: info@stirlingglobal.com.au  
P: +61 (08) 6110 1927  
M: +61 (0) 467480336

W: www.stirlingglobal.com.au

